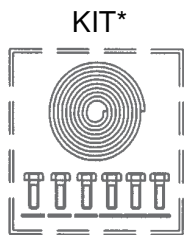


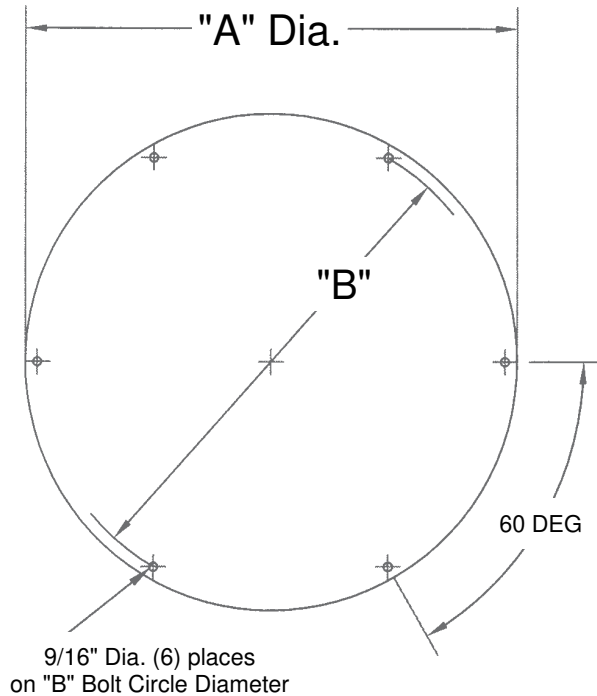
# Blank Metal Covers



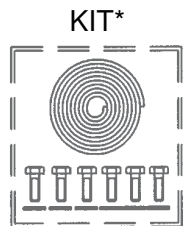
\*KIT INCLUDES :

- \* Roll of Gasket Tape
- \* (6) 3/8-16 Hex. Head S.S. Bolts X 3/4" long
- \* (6) 3/8" S.S. Flat Washers

Part Number	"A" Diameter	Thickness	"B" B.C.D.
JC24B	28.00"	7 gauge	26-1/2"
JC30B	34.00"	1/4" (.25)	32-1/2"
JC36B	40.00"	1/4" (.25)	38-1/2"
JC42B	46.00"	1/4" (.25)	44-1/2"
JC48B	54.00"	1/4" (.25)	51"
JC60B	65.50"	3/8" (.375)	63"

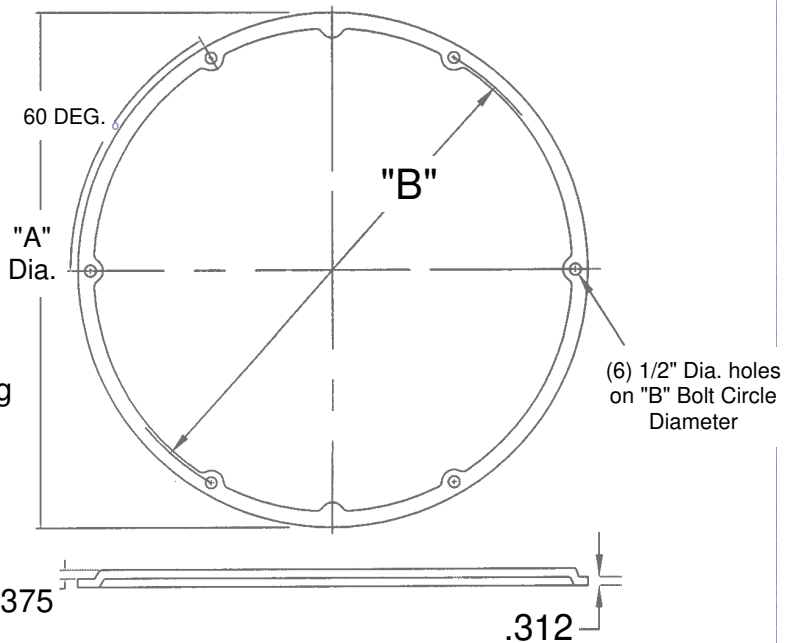


# Fiberglass Blank Covers



\*KIT INCLUDES :

- \* Roll of Gasket Tape
- \* (6) 3/8-16 Hex. Head S.S. Bolts X 3/4" long
- \* (6) 3/8" S.S. Flat Washers



Part Number	"A" Diameter	"B" B.C.D.
JC24FB	28.00"	26-1/2"
JC30FB	34.00"	32-1/2"
JC36FB	40.00"	38-1/2"
JC48FB	54.00"	51"