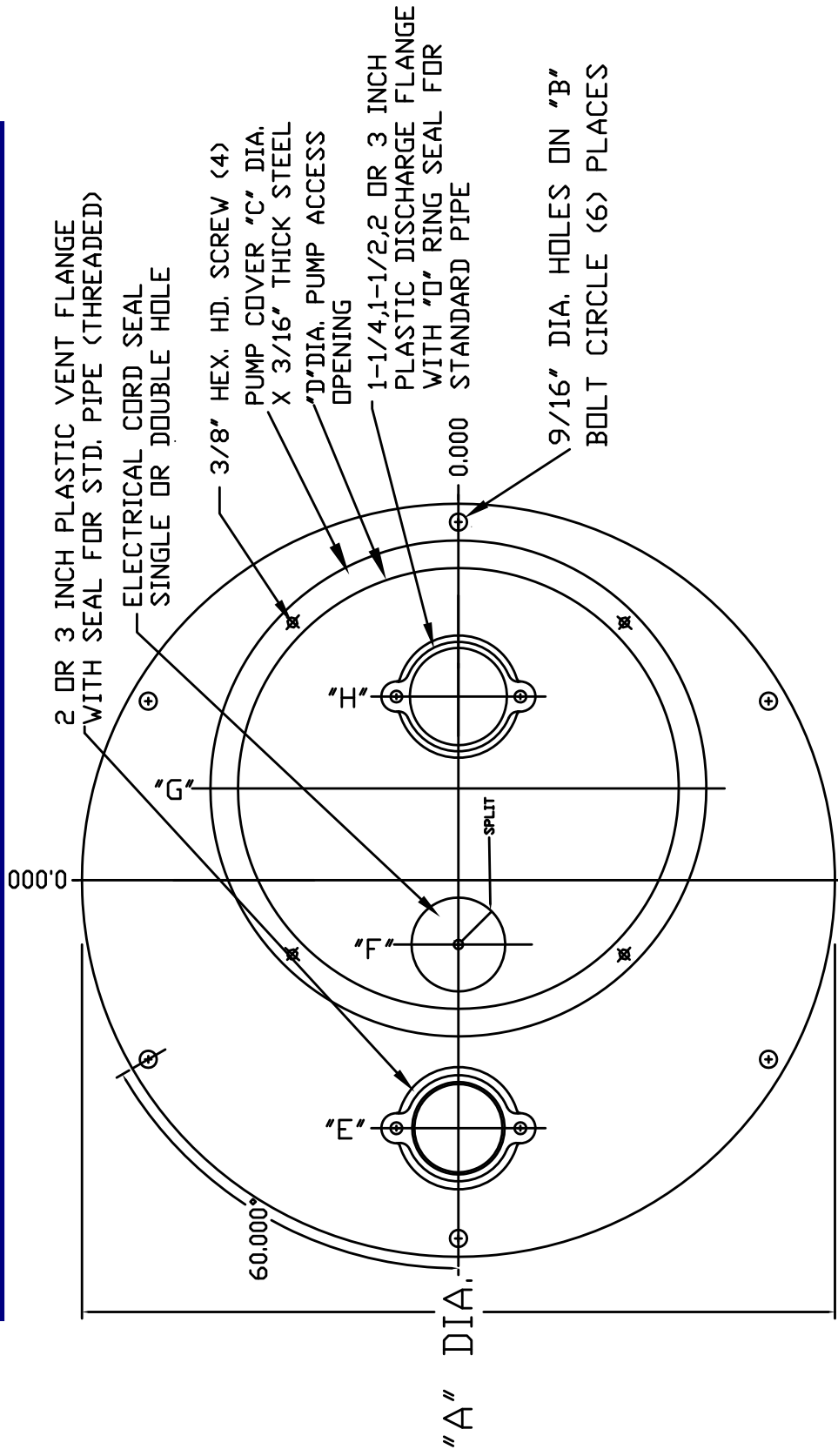


# Simplex Metal Covers

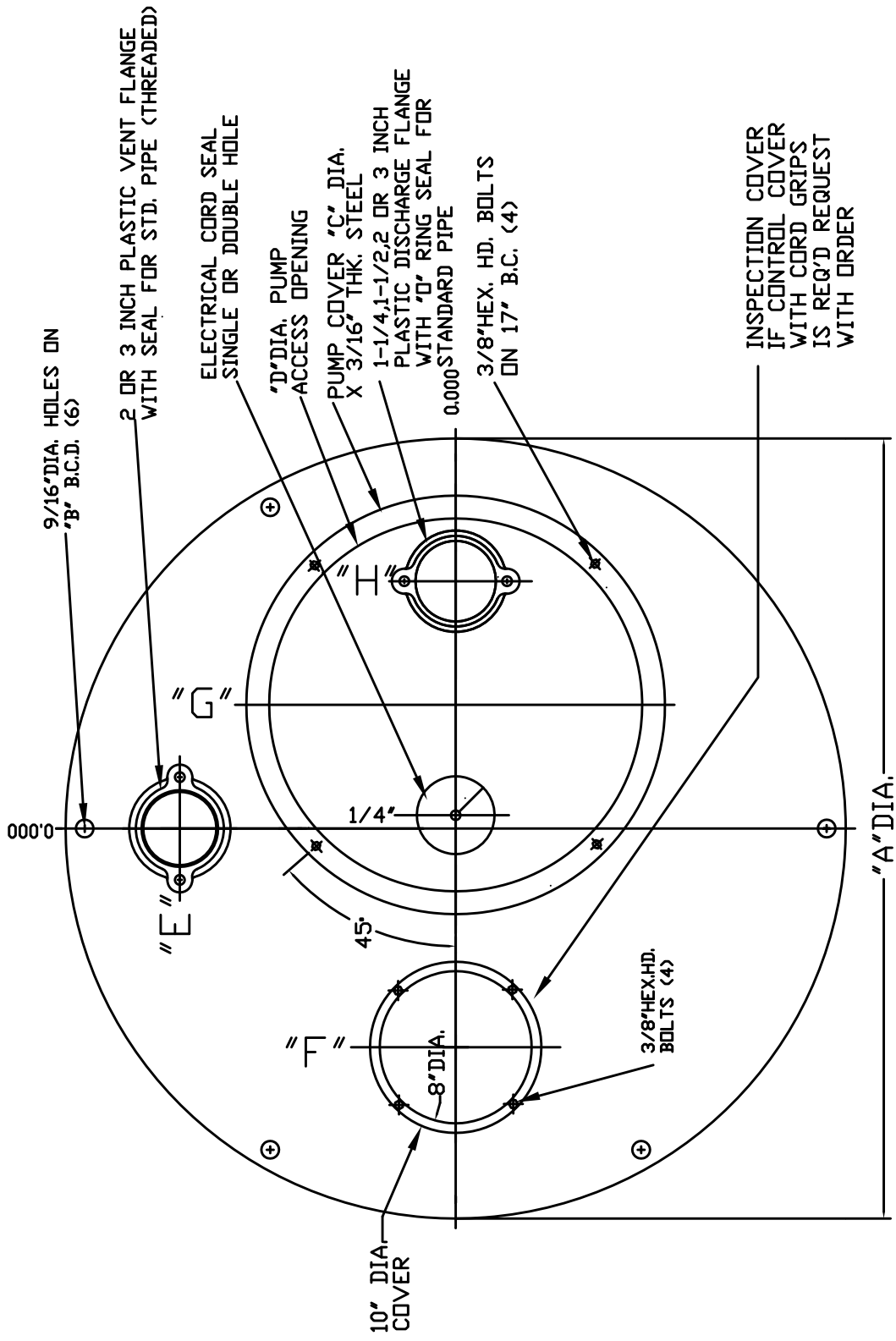
JACKEL



P/N.	"A" DIA.	THICKNESS	"B" B.C.D.	DIM "C"	DIM "D"	DIM "E"	DIM "F"	DIM "G"	DIM "H"
JC24S	28.00"	7 GAGE (.180)	26 1/2"	16"	14"	10"	2"	3"	5 1/2"
JC30S	34.00"	1/4" (.25)	32 1/2"	18"	16"	12 1/8"	2"	3"	5 1/2"
JC36S	40.00"	1/4" (.25)	38 1/2"	22"	20"	14 1/4"	1 1/2"	3"	8 1/2"
JC42S	46.00"	1/4" (.25)	44 1/2"	22"	20"	14 1/4"	1 1/2"	3"	8 1/2"

# Simplex Metal Covers

JACKEL



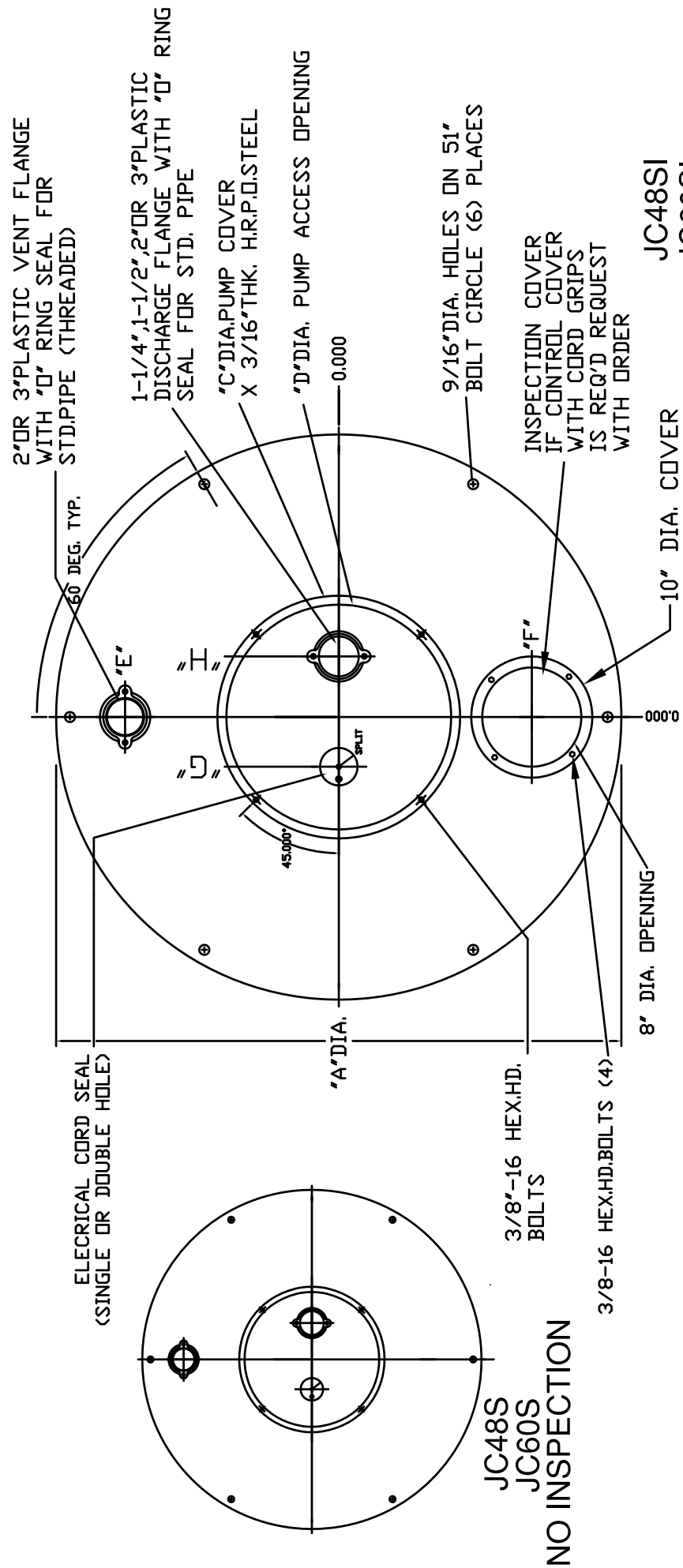
Add to the part number  
IB - Blank Inspection Cover  
CC - Control Cover

P/N.	"A" DIA.	THICKNESS	"B" B.C.D.	DIM "C"	DIM "D"	DIM "E"	DIM "F"	DIM "G"	DIM "H"
JC24SI	28.00"	7 GAGE (.180)	26 1/2"	16"	14"	10"	7 3/4"	5 1/2"	8"
JC30SI	34.00"	1/4" (.25)	32 1/2"	18"	16"	12 1/8"	9 1/2"	5 1/4"	7 3/4"



# Simplex Metal Covers

JACKEL



P/N.	"A" DIA.	THICKNESS	"B" B.C.D.	DIM "C"	DIM "D"	DIM "E"	DIM "F"	DIM "G"	DIM "H"
JC48S	54"	1/4" (.25)	51"	22"	20"	20"	N/A	4 1/2"	5 1/2"
JC48SI	54"	1/4" (.25)	51"	22"	20"	20"	17 1/2"	4 1/2"	5 1/2"
JC60S	66"	3/8" (.375)	63"	28"	26"	25 1/2"	N/A	5"	8"
JC60SI	66"	3/8" (.375)	63"	28"	26"	25 1/2"	20"	5"	8"