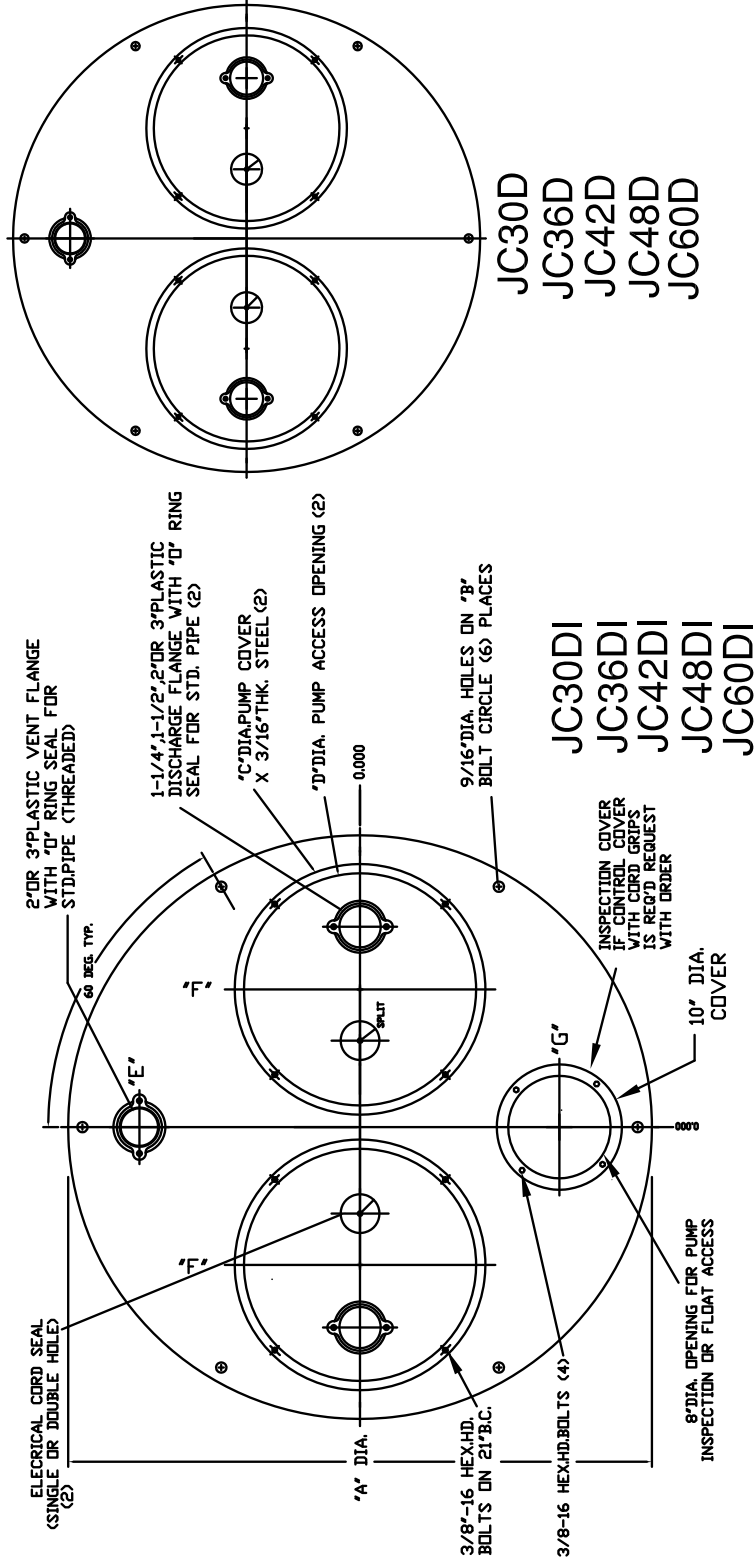


Duplex Metal Covers

JACKEL



P/N.	"A" DIA.	THICKNESS	"B" B.C.D.	DIM "C"	DIM "D"	DIM "E"	DIM "F"	DIM "G"
JC30D	34.00"	1/4" (.25)	32 1/2"	16"	14"	12 1/8"	8"	N/A
JC30DI	34.00"	1/4" (.25)	32 1/2"	16"	14"	12 1/8"	8"	10"
JC36D	40.00"	1/4" (.25)	38 1/2"	18"	16"	14"	9 3/4"	N/A
JC36DI	40.00"	1/4" (.25)	38 1/2"	18"	16"	14"	9 3/4"	12 3/8"
JC42D	46.00"	1/4" (.25)	44 1/2"	22"	20"	17 1/2"	11"	N/A
JC42DI	46.00"	1/4" (.25)	44 1/2"	22"	20"	17 1/2"	11"	15"
JC48D	54.00"	1/4" (.25)	51"	22"	20"	20"	13"	N/A
JC48DI	54.00"	1/4" (.25)	51"	22"	20"	20"	13"	15 1/2"
JC60D	66.00"	3/8" (.375)	63"	28"	26"	25 1/2"	15 1/2"	N/A
JC60DI	66.00"	3/8" (.375)	63"	28"	26"	25 1/2"	15 1/2"	20"