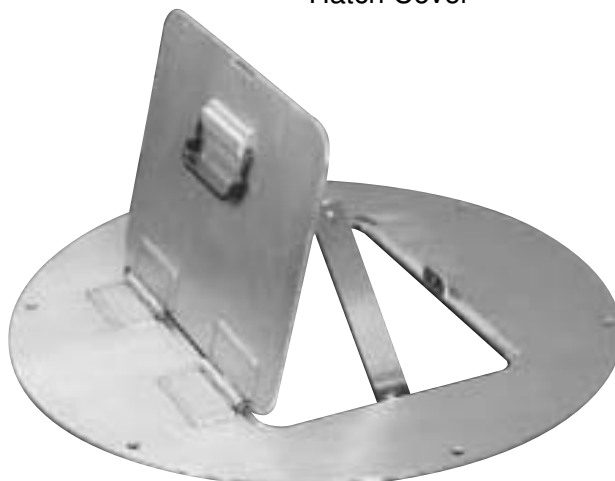


# Hatch Covers

Shown as a Steel Hatch Cover



Shown as a Aluminum Hatch Cover

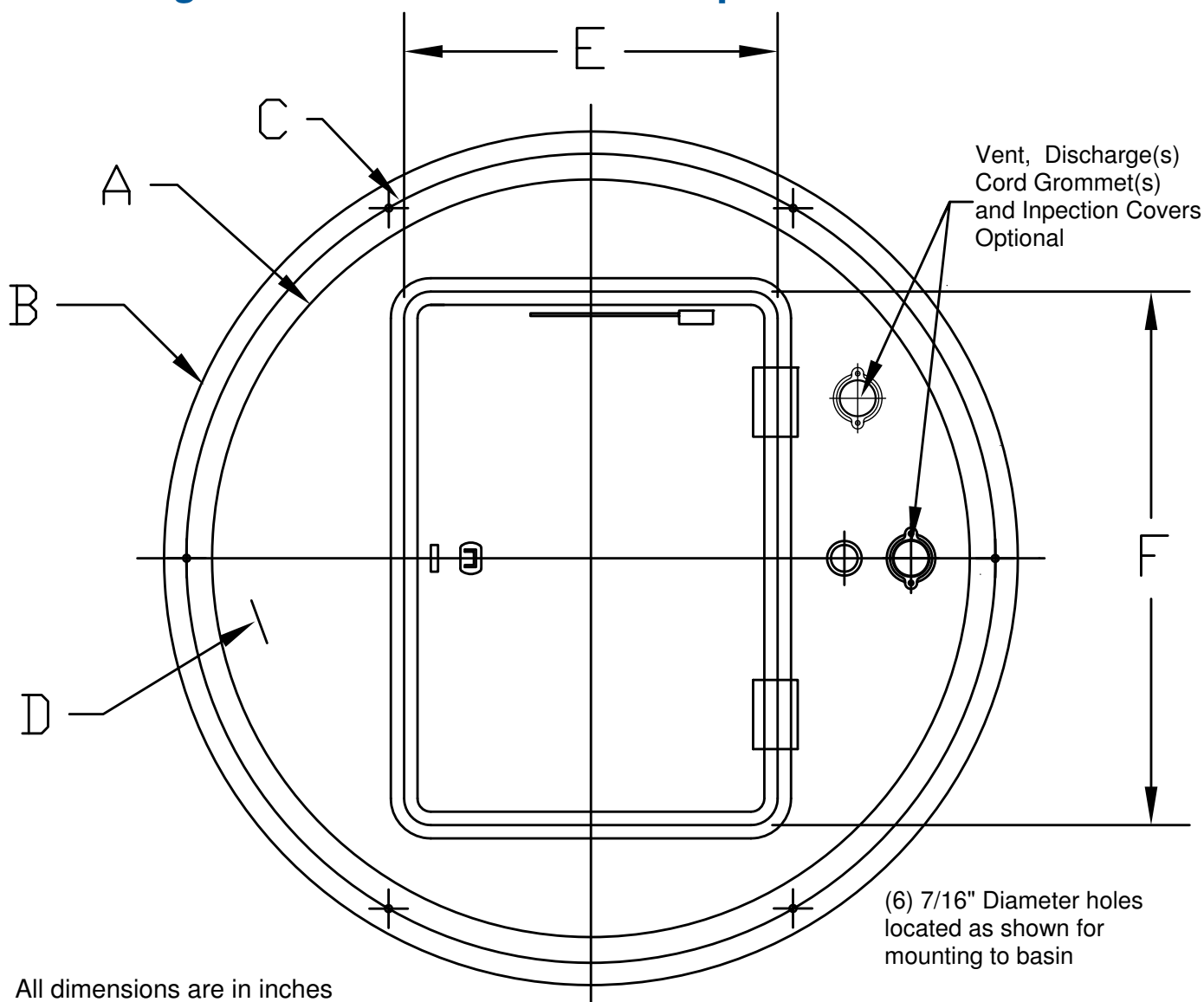


Basin Diameter	Cover Material	Part Numbers		
		Blank	Simplex	Duplex
24	Steel	JC24H	JC24HS	JC24HD
24	Aluminum	JC24H-AL	JC24HS-AL	JC24HD-AL
24	Stainless Steel	JC24H-SS	JC24HS-SS	JC24HD-SS
24	Diamond Plate Steel	JC24H-DP	JC24HS-DP	JC24HD-DP
30	Steel	JC30H	JC30HS	JC30HD
30	Aluminum	JC30H-AL	JC30HS-AL	JC30HD-AL
30	Stainless Steel	JC30H-SS	JC30HS-SS	JC30HD-SS
30	Diamond Plate Steel	JC30H-DP	JC30HS-DP	JC30HD-DP
36	Steel	JC36H	JC36HS	JC36HD
36	Aluminum	JC36H-AL	JC36HS-AL	JC36HD-AL
36	Stainless Steel	JC36H-SS	JC36HS-SS	JC36HD-SS
36	Diamond Plate Steel	JC36H-DP	JC36HS-DP	JC36HD-DP
42	Steel	JC42H	JC42HS	JC42HD
42	Aluminum	JC42H-AL	JC42HS-AL	JC42HD-AL
42	Stainless Steel	JC42H-SS	JC42HS-SS	JC42HD-SS
42	Diamond Plate Steel	JC42H-DP	JC42HS-DP	JC42HD-DP
48	Steel	JC48H	JC48HS	JC48HD
48	Aluminum	JC48H-AL	JC48HS-AL	JC48HD-AL
48	Stainless Steel	JC48H-SS	JC48HS-SS	JC48HD-SS
48	Diamond Plate Steel	JC48H-DP	JC48HS-DP	JC48HD-DP
60	Steel	JC60H	JC60HS	JC60HD
60	Aluminum	JC60H-AL	JC60HS-AL	JC60HD-AL
60	Stainless Steel	JC60H-SS	JC60HS-SS	JC60HD-SS
60	Diamond Plate Steel	JC60H-DP	JC60HS-DP	JC60HD-DP

Diamond Plate Stainless Steel available upon request

# Hatch Covers

## Hinged and Lockable with Hold Open Bar



All dimensions are in inches

Part Number (steel)	"A" Basin Inside Dia.	"B" Outside Dia.	"C" Bolt Circle	"D" Thickness	"E" Hatch Door Width	"F" Hatch Door Length	Clear Access Width	Clear Access Length
JC24H	24	28	26.50	.180	13	17	12	16
JC30H	30	34	32.50	.250	17	23	16	22
JC36H	36	40	38.50	.250	21	25	20	24
JC42H	42	46	44.50	.250	23	33	22	32
JC48H	48	54	51.00	.250	25	37	24	36
JC60H	60	65.50	63.00	.375	30	40	29	39

**Note:** Also available in Aluminum, Stainless Steel, Diamond Plate Steel or Diamond Plate Stainless Steel.