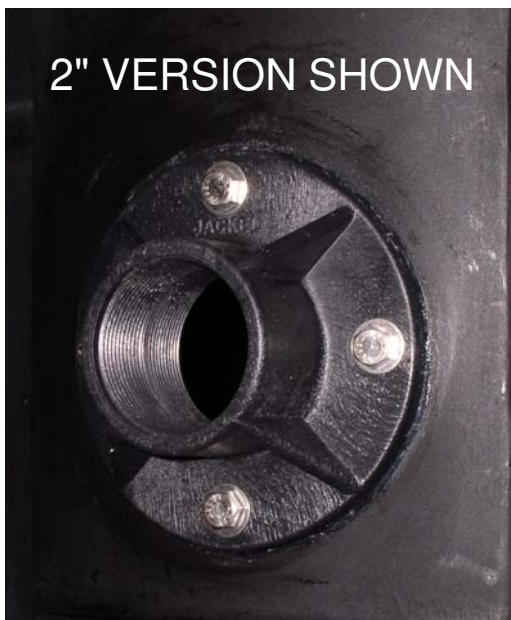


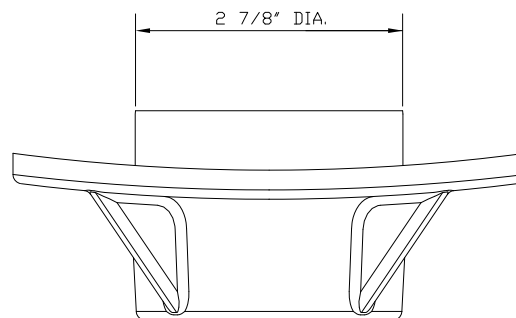
**PLASTIC COUPLING FLANGES**

MOLDED FROM SUPER-TOUGH ABS

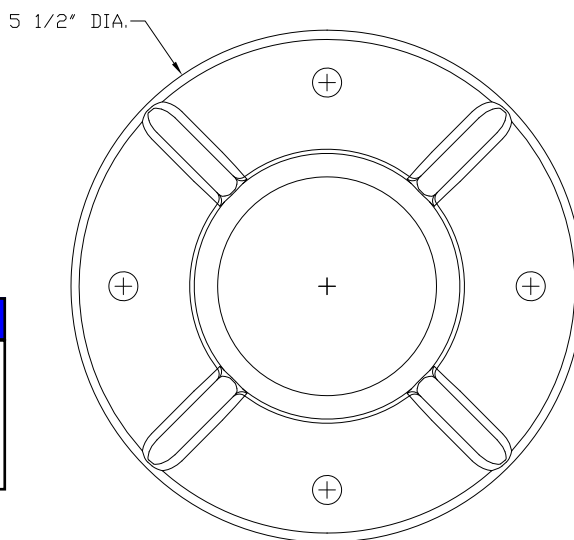
1 1/4", 1 1/2" or 2" NPT THREADED



PART NUMBER	SIZE	BASIN DIAMETER
1836SCF125P	1 1/4" NPT	18" - 36"
1836SCF150P	1 1/2" NPT	18" - 36"
1836SCF200P	2" NPT	18" - 36"



[www.jackelinc.com](http://www.jackelinc.com)



**Kit to include**

Quantity	Description
1	1/8" X 7/8" X 18" Long Sealing Tape
4	1/4"-20 X 1" Long S.S. Hex. Head Bolt
4	1/4"-20 S.S. Nut
8	1/4" S.S. Washer

We recommend using a 3" Diameter Hole Saw

**1.574.256.5635**