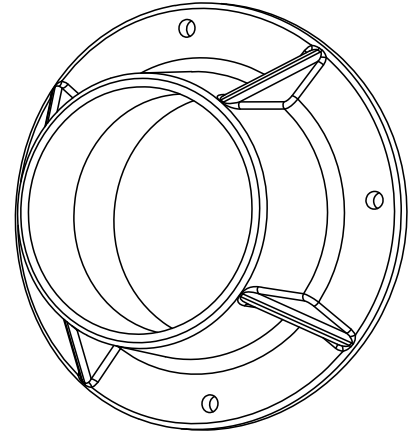
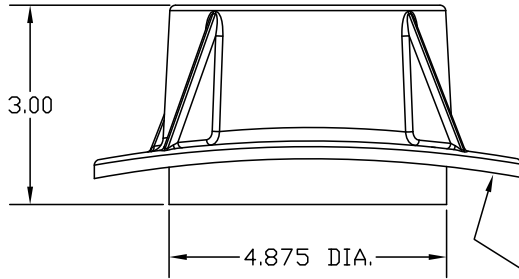
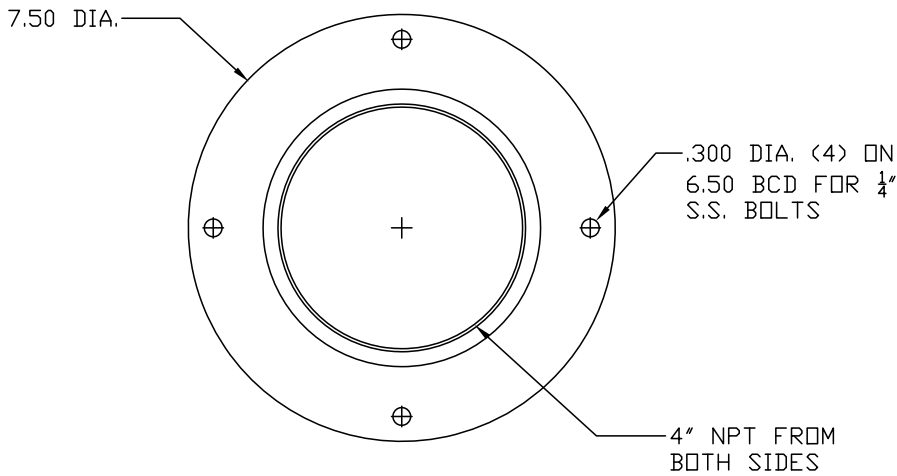


4" NPT Threaded Hub for 18" and 24" Diameter Basins

We recommend a 5" Hole Saw



RADIUS TO FIT 18.00
DIA. BASINS



Kit to include

Quantity	Description
1	1/8" X 7/8" X 24" Long Sealing Tape
4	1/4"-20 X 1" Long S.S. Hex. Head Bolt
4	1/4"-20 S.S. Nut
8	1/4" S.S. Washer

Part Number

18LCF400-P